

Preliminary



Piccole dimensioni, tre WJ-GXE500 in una sola unità rack.



4CH H.264 Real-time Network Video Encoder

Caratteristiche Principali

- Trasmissione Full frame H.264 per ognuno dei 4 canali.
- Dual streams H.264 (High profile) e JPEG con risoluzione di immagine VGA/D1.
- Conversione del segnale video in ingresso da interlacciato a progressivo per rendere più chiare le immagini in movimento.
- Sistema di compensazione della degradazione del segnale video causato dall'eccessiva lunghezza della tratta di cavo coassiale.
- Controllo e programmazione delle telecamere Panasonic, PTZ e fisse, solo via cavo coassiale (up-the-coax).
- Controllo e programmazione di qualsiasi telecamera via RS-485 grazie all'uso di una tabella comandi completamente configurabile.
- Slot per memoria SD/SDHC per piccole registrazioni locali in manuale, su allarme, in caso di mancata connessione di rete (solo in JPEG).
- Titolatrice: fino a 16 caratteri alfanumerici disponibili per ogni telecamera e sovrimprimibili sull'immagine.
- Audio full duplex bi-direzionale per comunicazioni interattive.
- Compatibile con standard PoE per essere alimentato solo con cavo di rete LAN (IEEE802.3af compliant, verificare compatibilità della rete).
- Piccole dimensioni, fino a 3 unità possono essere installate a rack occupando lo spazio di una sola unità rack 19" (staffe opzionali).
- Sorgenti di Allarme: 3 contatti d'ingresso, VMD, allarmi da telecamera, video loss e compatibilità con Panasonic alarm protocol.
- VMD (Video Motion Detector) con 4 aree programmabili.
- Face detection rileva la posizione del volto umano, le informazioni sono inviate via dati XML o video stream. (attivo solo sul canale 1)
- Invio di meta data su VMD verso il registratore WJ-ND400 per l'uso della funzione di playback VMD.

- Internet mode: le immagini in H.264/MPEG-4 possono essere trasmesse via protocollo HTTP.
- GUI e setup menu Multi-lingua: English, French, Italiano, Spanish, German, Russian (PAL) / English, French (NTSC).
* Installazione separata richiesta per tutte le lingue eccetto l'Inglese
- Supporta protocollo IPv4/IPv6 .

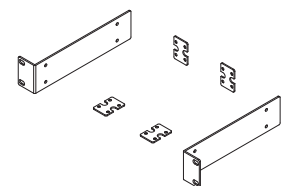
Accessori Standard

- CD-ROM*11 pc.
- Guida di Installazione1 pc.
- Code Label 1 pc.

*1 Il CD-ROM contiene le istruzioni in formato PDF ed altre applicazioni software utili alla configurazione del prodotto.

Accessori Opzionali

Staffe montaggio a rack EIA19 pollici
WV-Q204/2S
(per montare tre WJ-GXE500)

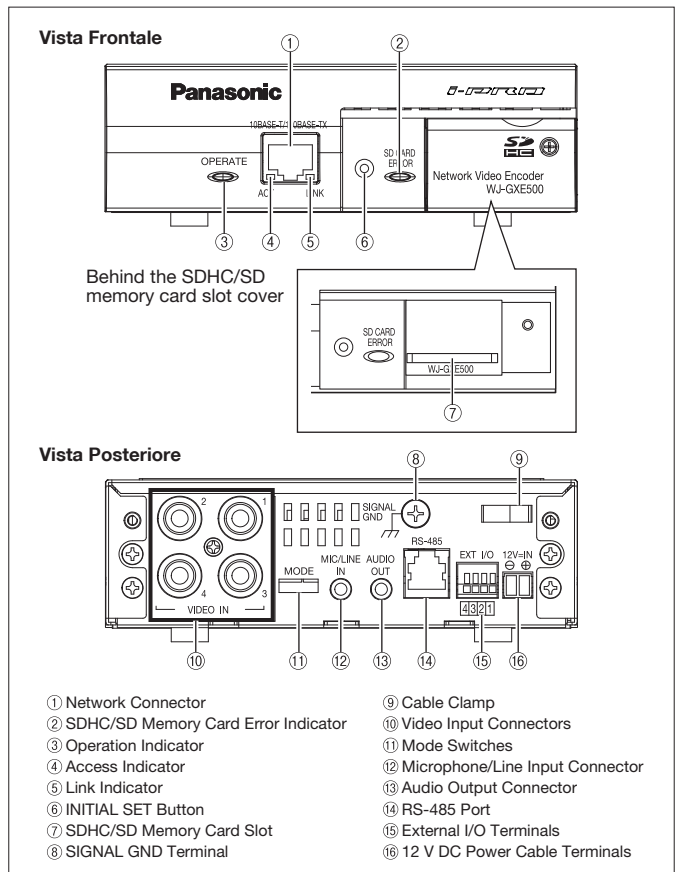


Specifiche

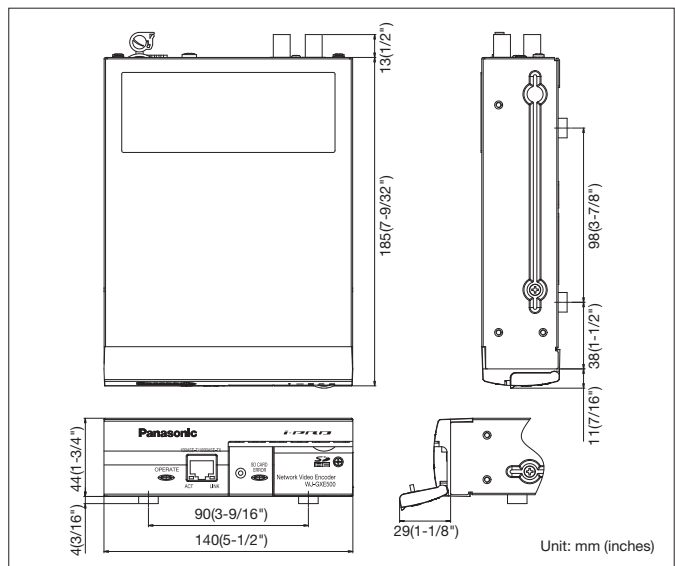
TV System	NTSC	PAL
Audio/Video IF	&x 1.0 V [p-p] / 75 Ω NTSC [Yd'ee[h]VvUa_ baef(a)(BNC) Multiplexed control data and cable compensation compatible: 1 - 4 CH	4x 1.0 V [p-p] / 75 Ω PAL [Yd'ee[h]VvUa_ baef(a)@5f Multiplexed control data and cable compensation compatible: 1 - 4 CH
Microphone/Line Input	MIC IN and Line IN are selectable. ø3.5 mm stereo mini jack (monaural input) (Applicable microphone: Plug-in power type) Supply voltage: 2.5 V ±0.5 V Input impedance: approx. 2 kΩ	
Audio Output	ø3.5 mm stereo mini jack (monaural output) Line level	
Camera Control	Pan / tilt / zoom / focus / preset positions / auto focus (When using Panasonic P/T/Z cameras)	
Display Mode	Spot, Quad: Image from 16 cameras can be displayed in 4 different Quad screens (JPEG only). 20 characters camera title available.	
Unit Title	Up to 20 characters	
Camera Title (OSD)	Up to 16 characters On/Off	
Clock Display	Time: 12H/24H, Date: 5 formats on the browser, Summer time (Manual)	
Alarm Control	Reset	
One Shot Capture	A still picture will be displayed on a newly opened window.	
Audio	Mic (Line) Input: ON / OFF Volume adjustment: Low / Middle / High, Audio Output: ON / OFF Volume adjustment: Low/Middle/High	
SD Memory Data Download	Still or motion Images recorded in the SD/SDHC memory card can be downloaded.	
GUI/Setup Menu Language	English, French (Installation required for French)	English, French, Italian, Spanish, German, Russian (Installation required except for English)
System Log	Up to 100 (Internal), Up to 4,000 (SD memory when the recording format is set to JPEG.) error logs	
Supported OS	Microsoft® Windows® 7 Professional 64 bit/32 bit, Microsoft® Windows Vista® Business SP1 32 bit, Microsoft® Windows® XP Professional SP3 The language of the OS must be same as selected GUI language.	
Supported Browser	Windows® Internet Explorer® 8.0 32 bit (Microsoft® Windows® 7 64 bit/32bit), Windows® Internet Explorer® 7.0 (Microsoft® Windows Vista® Business SP1 32 bit), Microsoft® Internet Explorer® 6.0 SP3 (Microsoft® Windows® XP Professional SP3)	
Network IF	10Base-T / 100Base-TX, RJ-45 connector	
Image Resolution	VGA mode: VGA (640 x 480) / QVGA (320 x 240) D1 mode: D1 (720 x 480)	VGA mode: VGA (640 x 480) / QVGA (320 x 240) D1 mode: D1 (720 x 576)
H.264/ MPEG-4	Transmission Mode: Constant bitrate / Framerate priority Frame Rate: 1 / 3 / 5 / 7.5 / 10 / 15 / 20 / 30 fps Bit Rate/Client Image Quality: 64 / 128 / 256 / 384 / 512 / 768 / 1,024 / 1,536 / 2,048 / 3,072 / 4,096 kbps / Unlimited Image Quality: Low / Normal / Fine Refresh Interval: 0.2 / 0.33 / 0.5 / 1 / 2 / 3 / 4 / 5 s Transmission Type: UNICAST / MULTICAST	
JPEG	Image Quality: 10 steps Refresh Interval: 0.1 fps ~ 30 fps (JPEG frame rate will be restricted when displaying both JPEG and H.264/MPEG-4 images.) 0.08 fps ~ 25 fps (JPEG frame rate will be restricted when displaying both JPEG and H.264/MPEG-4 images.) Transmission Type: PULL / PUSH	
Audio Compression	G.726 (ADPCM), 32 kbps / 16 kbps, CH1 only.	
Audio Mode	OFF / Mic (Line) input / Audio output / Interactive (Half duplex) / Interactive (Full duplex)	
Authentication for Audio	Level 1 only / Level 2 higher / All users	
Total Bit Rate	64 / 128 / 256 / 384 / 512 / 768 / 1,024 / 2,048 / 4,096 / 8,192 kbps / Unlimited	
Supported Protocol	IPv6: TCP/IP, UDP/IP, HTTP, RTP, FTP, SMTP, DNS, NTP, SNMP IPv4: TCP/IP, UDP/IP, HTTP, RTSP, RTP, RTP/RTCP, FTP, SMTP, DHCP, DNS, DDNS, NTP, SNMP	
FTP Client	Periodic image transfer, Alarm image transfer (When the FTP transmission is failed, backup on an optional SDHC/SD memory card is available.)	
No. of Simultaneous Users	Up to 16 users (Depends on network conditions)	
SDHC/SD Memory Card (Option)	Alarm REC / Backup upon network failure / Manual REC (JPEG only) Compatible SD (SDHC) card: Panasonic 256 MB, 512 MB, 1 GB, 2 GB, 4 GB*, 8 GB*, 16 GB*, 32 GB* model * SDHC card	
Face Detection	On / Off (with XML notification) (Ch1 only)	
Alarm	Alarm Source: 3 terminal input, VMD, Command alarm, Camera site alarm, Video loss alarm Alarm Action: SDHC/SD memory recording, E-mail notification, Alarm terminal output, Indication on browser, FTP image transfer, Panasonic protocol output Alarm Log: With SDHC/SD memory card: 5,000 logs, without SDHC/SD memory card: 1,000 logs	
Input/Output	Terminal: Terminal 1: Alarm input, Terminal 2: Alarm input/Alarm output, Terminal 3: Alarm input/Alarm output/AUX output RS-485 Port: 1x RS-485 (RJ-11, 4 wire / 2 wire, Full/Half duplex. Open command conversion table for Other manufacturer's PTZ camera)	
General	Safety/EMC Standard: UL (UL60065), FCC (Part15 ClassA), CE (EN55022, ClassB, C-UL (CAN/CSA C22.2 No.60065), EN55024) DOC (ICES003 ClassA) Power Source and Power Consumption: 12 V DC: 500 mA, PoE (IEEE802.3af): 6 W (Class 0 device) Ambient Operating Temperature: -10 °C ~ +50 °C (14 °F ~ 122 °F) Ambient Operating Humidity: 90 % or less (without condensation) Dimensions: 140 mm (W) x 44 mm (H) x 185 mm (D) (5-1/2" x 1-3/4" x 7-9/32") (excluding rubber feet and projections) Weight (approx.): 1.0 kg (2.21 lbs.)	

* H.264 and MPEG-4 are alternative.

Parti e Funzioni



Dimensioni



Trademarks and registered trademarks

– Microsoft, and Windows are registered trademarks of Microsoft Corporation in the U.S. and other countries.
– "Super Dynamic", "SDII", "SDIII", "SD5", "SD5Link", "i-PRO" and "i-PRO SmartHD" logos are trademarks or registered trademarks of Panasonic Corporation.

Important

– Safety Precaution: carefully read the operating instructions and installation manual before using this product.
– Panasonic can not be responsible for network performance and/or other manufacturer products that reside on the network.

- All TV pictures are simulated.
- Weights and dimensions are approximate.
- Specifications are subject to change without notice.
- These products may be subject to export control regulations.
- All product pictures are NTSC models.

DISTRIBUTED BY:

Panasonic®

<http://panasonic.net/security/>

Printed in Japan (2A-056A)